



**Count on it.**

**Operator's Manual**

**Adjustable Forks  
Compact Tool Carriers**

Model No. 22586—Serial No. 322000001 and Up

Model No. 23175—Serial No. 323000000 and Up



**⚠ WARNING**

**CALIFORNIA  
Proposition 65 Warning**

**Use of this product may cause exposure to chemicals known to the State of California to cause cancer, birth defects, or other reproductive harm.**

# Introduction

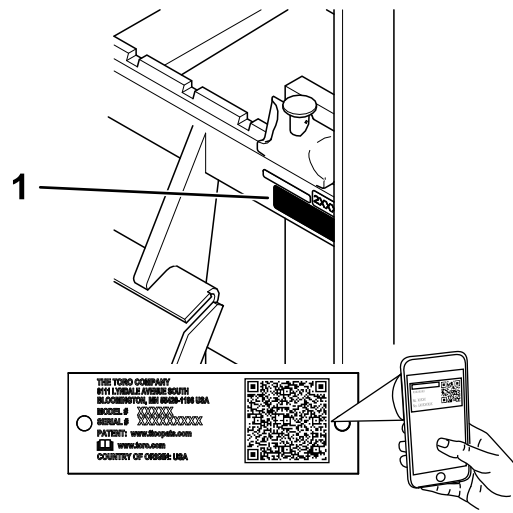
The adjustable forks attachment is a load-bearing attachment intended to be used on a Toro compact tool carrier. It is designed primarily for moving material such as posts, rocks, trees, pallets, etc. Using this product for purposes other than its intended use could prove dangerous to you and bystanders.

Read this information carefully to learn how to operate and maintain your product properly and to avoid injury and product damage. You are responsible for operating the product properly and safely.

Visit [www.Toro.com](http://www.Toro.com) for product safety and operation training materials, accessory information, help finding a dealer, or to register your product.

Whenever you need service, genuine Toro parts, or additional information, contact an Authorized Service Dealer or Toro Customer Service and have the model and serial numbers of your product ready. [Figure 1](#) identifies the location of the model and serial numbers on the product for Model 22586. [Figure 2](#) identifies the location of the model and serial numbers for Model 23175. Write the numbers in the space provided.

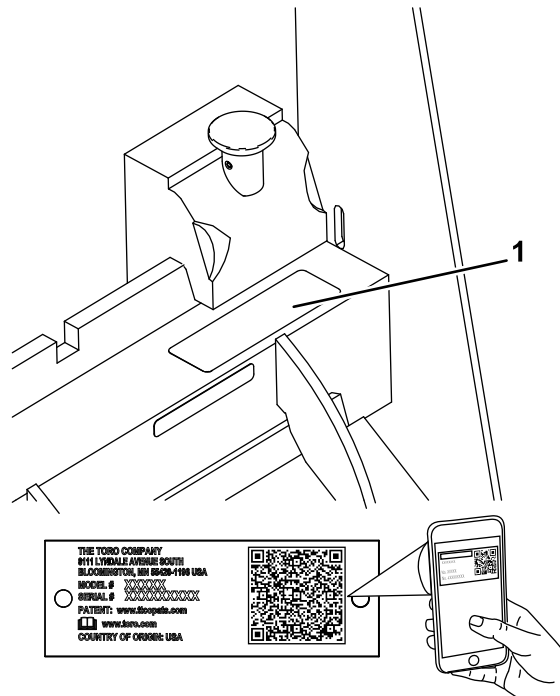
**Important:** With your mobile device, you can scan the QR code on the serial number decal (if equipped) to access warranty, parts, and other product information.



**Figure 1**

1. Model 22586 model and serial number location

g372888



**Figure 2**

1. Model 23175 model and serial number location

g446855

<b>Model No.</b> _____
<b>Serial No.</b> _____

This manual identifies potential hazards and has safety messages identified by the safety-alert symbol ([Figure 3](#)), which signals a hazard that may cause serious injury or death if you do not follow the recommended precautions.



**Figure 3**

g000502

1. Safety-alert symbol

---

This manual uses 2 words to highlight information. **Important** calls attention to special mechanical information and **Note** emphasizes general information worthy of special attention.

# Contents


Safety .....	4
General Safety .....	4
Slope Safety .....	4
Forks Safety .....	5
Maintenance and Storage Safety .....	5
Safety and Instructional Decals .....	5
Setup .....	6
Installing the Forks .....	6
Product Overview .....	6
Specifications .....	6
Operation .....	7
Installing and Removing the Attachment .....	7
Transport Position .....	7
Operating Tips .....	8
Storage .....	8

# Safety

## General Safety

Always follow all safety instructions to avoid serious injury or death.

- Do not exceed the rated operating capacity, as the machine may become unstable, which may result in loss of control.
- Do not carry a load with the arms raised; always carry loads close to the ground.
- Slopes are a major factor related to loss-of-control and tip-over accidents, which can result in severe injury or death. **Operating the machine on any slope or uneven terrain requires extra caution.**
- **Operate the machine up and down slopes with the heavy end of the machine uphill and the load close to the ground.** Weight distribution changes with attachments. An empty bucket makes the rear of the machine the heavy end, and a full bucket makes the front of the machine the heavy end. Most other attachments make the front of the machine the heavy end.
- Have the property or work area marked for buried lines and other objects, and do not dig in marked areas.
- Read and understand the content of this *Operator's Manual* before starting the engine.
- Use your full attention while operating the machine. Do not engage in any activity that causes distractions; otherwise, injury or property damage may occur.
- Never allow children or untrained people to operate the machine.
- Keep your hands and feet away from the moving components and attachments.
- Do not operate the machine without the guards and other safety protective devices in place and working on the machine.
- Keep bystanders and children out of the operating area.
- Stop the machine, shut off the engine, and remove the key before servicing, fueling, or unclogging the machine.

Improperly using or maintaining this machine can result in injury. To reduce the potential for injury, comply with these safety instructions and always pay attention to the safety-alert symbol , which means Caution, Warning, or Danger—personal safety instruction. Failure to comply with these instructions may result in personal injury or death.

## Slope Safety

- **Operate the machine up and down slopes with the heavy end of the machine uphill.** Weight distribution changes with attachments. An empty bucket makes the rear of the machine the heavy end, and a full bucket makes the front of the machine the heavy end. Most other attachments make the front of machine the heavy end.
- Raising the loader arms on a slope affects the stability of the machine. Keep the loader arms in the lowered position when on slopes.
- Slopes are a major factor related to loss of control and tip-over accidents, which can result in severe injury or death. Operating the machine on any slope or uneven terrain requires extra caution.
- Establish your own procedures and rules for operating on slopes. These procedures must include surveying the site to determine which slopes are safe for machine operation. Always use common sense and good judgment when performing this survey.
- Slow down and use extra care on hillsides. Ground conditions can affect the stability of the machine.
- Avoid starting or stopping on a slope. If the machine loses traction, proceed slowly, straight down the slope.
- Avoid turning on slopes. If you must turn, turn slowly and keep the heavy end of the machine uphill.
- Keep all movements on slopes slow and gradual. Do not make sudden changes in speed or direction.
- If you feel uneasy operating the machine on a slope, do not do it.
- Watch for holes, ruts, or bumps, as uneven terrain could overturn the machine. Tall grass can hide obstacles.
- Use caution when operating on wet surfaces. Reduced traction could cause sliding.
- Evaluate the area to ensure that the ground is stable enough to support the machine.
- Use caution when operating the machine near the following:
  - Drop-offs
  - Ditches
  - Embankments
  - Bodies of water

The machine could suddenly roll over if a track goes over the edge or the edge caves in. Maintain a safe distance between the machine and any hazard.

- Do not remove or add attachments on a slope.
- Do not park the machine on a hillside or slope.

## Forks Safety

- Always lower the attachment and shut off the machine each time you leave the operating position.
- Clean any dirt or debris that may hinder connecting the attachment to the machine. Ensure that the attachment-locking pins are fully seated in the holes of the attachment-mount plate. Refer to the *Operator's Manual* for the machine for detailed information on safely connecting an attachment to your machine.
- When lifting the attachment keep it level and prevent the load from spilling backward.
- Inspect the forks for damage after each use.

## Maintenance and Storage Safety

- Check fasteners at frequent intervals for proper tightness to ensure that the equipment is in safe operating condition.
- Refer to this *Operator's Manual* for important details if you store the attachment for an extended period of time.
- Maintain or replace safety and instruction labels, as necessary.

## Safety and Instructional Decals



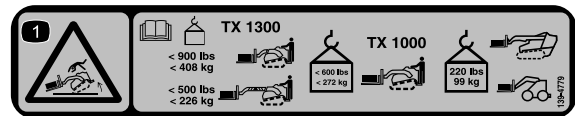
Safety decals and instructions are easily visible to the operator and are located near any area of potential danger. Replace any decal that is damaged or missing.

**WARNING:** Cancer and Reproductive Harm - [www.P65Warnings.ca.gov](http://www.P65Warnings.ca.gov).  
For more information, please visit [www.ttcoCAProp65.com](http://www.ttcoCAProp65.com)

133-8061  
decal133-8061

**133-8061**

Decal 139-4779 is only on Model 22586.

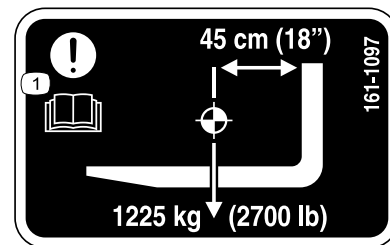


decal139-4779

**139-4779**

1. Tipping hazard—read the *Operator's Manual* for load limits; the maximum load capacity for the TX 1300 with the attachment retracted is 408 kg (900 lb); the maximum load capacity for the TX 1300 with the attachment extended is 226 kg (500 lb); the maximum load capacity for the TX 1000 with tracks installed and the attachment retracted is 272 kg (600 lb); the maximum load capacity for the TX 1000 with tracks installed and the attachment extended or the TX 1000 with wheels installed and the attachment retracted is 99 kg (220 lb).

Decals 161-1097 and 161-1098 are only on Model 23175.



decal161-1097

**161-1097**

1. Attention—read the *Operator's Manual*.



decal161-1098

**161-1098**

1. Falling hazard—do not stand on the forks.

# Setup

## Installing the Forks

1. Hang the upper hook of the fork over the center of the frame and insert the bottom hook through the bottom notch.

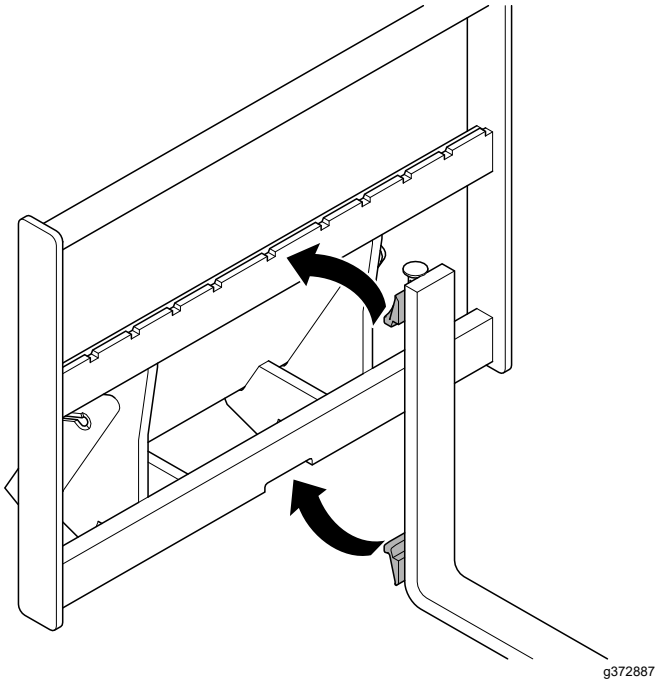


Figure 4

2. Pull up the knob and slide the fork to the desired location. Release the knob.

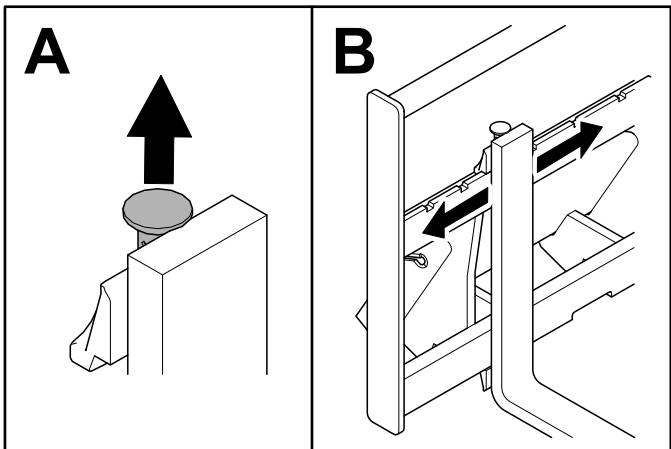


Figure 5

3. Repeat the procedure for the other fork.

# Product Overview

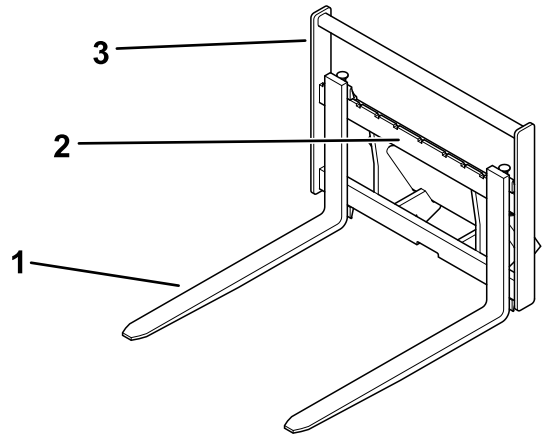


Figure 6

1. Fork
2. Adjustable-forks frame
3. Upper frame

g373061

## Specifications

**Note:** Specifications and design are subject to change without notice.

### Model 22586

Overall width	91 cm (36 inches)
Overall length	121 cm (48 inches)
Overall height	75 cm (30 inches)
Weight	111 kg (244 lb)
Fork length	91 cm (36 inches)
Fork cross-section size	7.5 x 2.5 cm (3.0 x 1 inches)
Fork width adjustment range (outside to outside dimensions)	29 to 79 cm (11 to 31 inches)

### Model 23175

Overall width	72.1 (28.4 inches)
Overall length	118.1 cm (46.5 inches)
Overall height	68.8 cm (27.1 inches)
Weight	82 kg (181 lb)
Fork length	91 cm (36 inches)
Fork cross-section size	3.0 x 8.1 cm (1.2 x 3.2 inches)
Fork width adjustment range (outside to outside dimensions)	20 to 69 cm (8 to 27 inches)

### Load Rating Capacity (per SAE J1197)

TX 1000	272 kg (600 lb)
TX 1300—Loader arms retracted	408 kg (900 lb)
TX 1300—Loader arms extended	226 kg (500 lb)
All other models	99 kg (220 lb)

To ensure optimum performance and continued safety certification of the machine, use only genuine Toro replacement parts and accessories. Replacement parts and accessories made by other manufacturers could be dangerous, and such use could void the product warranty.

# Operation

## Installing and Removing the Attachment

Refer to the *Operator's Manual* for the traction unit for the installation and removal procedure.

**Important:** Before installing the attachment, position the machine on a level surface, ensure that the mount plates are free of any dirt or debris, and ensure that the pins rotate freely. If the pins do not rotate freely, grease them.

**Note:** Always use the traction unit to lift and move the attachment.

### ⚠ WARNING

If you do not fully seat the quick-attach pins through the attachment mount plate, the attachment could fall off the machine, crushing you or bystanders.

Ensure that the quick-attach pins are fully seated in the attachment mount plate.

## Transport Position

When transporting a load, keep the attachment as close to the ground as possible, no more than 15 cm (6 inches) above the ground. Tilt it rearward to keep the load level.

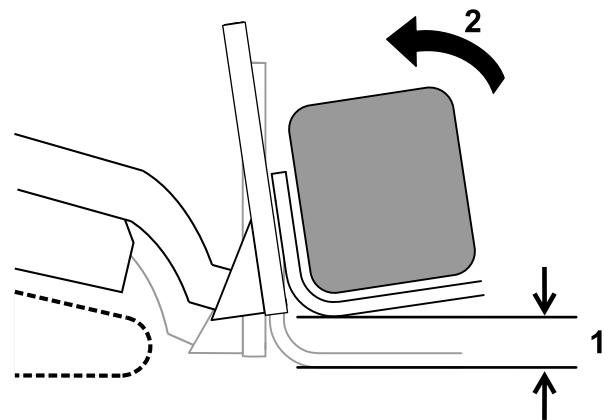


Figure 7

g242374

1. No more than 15 cm (6 inches) above the ground
2. Tilt the load rearward

## Operating Tips

- To adjust the forks, slide them along the frame to the desired width. Adjust the forks to the widest possible setting to ensure that the load is as stable as possible.
- When transporting a load, keep the forks as close to the ground as possible.
- Never use the forks for prying as damage may occur.
- Never attempt to lift more than the load rating capacity for the machine.

## Storage

1. Before long-term storage, wash the attachment with mild detergent and water to remove dirt and grime.
2. Paint all scratched or bare metal surfaces.  
**Note:** Paint is available from your Authorized Service Dealer.
3. Store the attachment in a clean, dry garage or storage area. Cover it to protect it and keep it clean.



# Notes:

## EEA/UK Privacy Notice

### **Toro's Use of Your Personal Information**

The Toro Company ("Toro") respects your privacy. When you purchase our products, we may collect certain personal information about you, either directly from you or through your local Toro company or dealer. Toro uses this information to fulfil contractual obligations - such as to register your warranty, process your warranty claim or to contact you in the event of a product recall - and for legitimate business purposes - such as to gauge customer satisfaction, improve our products or provide you with product information which may be of interest. Toro may share your information with our subsidiaries, affiliates, dealers or other business partners in connection these activities. We may also disclose personal information when required by law or in connection with the sale, purchase or merger of a business. We will never sell your personal information to any other company for marketing purposes.

### **Retention of your Personal Information**

Toro will keep your personal information as long as it is relevant for the above purposes and in accordance with legal requirements. For more information about applicable retention periods please contact [legal@toro.com](mailto:legal@toro.com).

### **Toro's Commitment to Security**

Your personal information may be processed in the US or another country which may have less strict data protection laws than your country of residence. Whenever we transfer your information outside of your country of residence, we will take legally required steps to ensure that appropriate safeguards are in place to protect your information and to make sure it is treated securely.

### **Access and Correction**

You may have the right to correct or review your personal data, or object to or restrict the processing of your data. To do so, please contact us by email at [legal@toro.com](mailto:legal@toro.com). If you have concerns about the way in which Toro has handled your information, we encourage you to raise this directly with us. Please note that European residents have the right to complain to your Data Protection Authority.

# California Proposition 65 Warning Information

## What is this warning?

You may see a product for sale that has a warning label like the following:



**WARNING: Cancer and Reproductive Harm—[www.p65Warnings.ca.gov](http://www.p65Warnings.ca.gov).**

## What is Prop 65?

Prop 65 applies to any company operating in California, selling products in California, or manufacturing products that may be sold in or brought into California. It mandates that the Governor of California maintain and publish a list of chemicals known to cause cancer, birth defects, and/or other reproductive harm. The list, which is updated annually, includes hundreds of chemicals found in many everyday items. The purpose of Prop 65 is to inform the public about exposure to these chemicals.

Prop 65 does not ban the sale of products containing these chemicals but instead requires warnings on any product, product packaging, or literature with the product. Moreover, a Prop 65 warning does not mean that a product is in violation of any product safety standards or requirements. In fact, the California government has clarified that a Prop 65 warning "is not the same as a regulatory decision that a product is 'safe' or 'unsafe.'" Many of these chemicals have been used in everyday products for years without documented harm. For more information, go to <https://oag.ca.gov/prop65/faqs-view-all>.

A Prop 65 warning means that a company has either (1) evaluated the exposure and has concluded that it exceeds the "no significant risk level"; or (2) has chosen to provide a warning based on its understanding about the presence of a listed chemical without attempting to evaluate the exposure.

## Does this law apply everywhere?

Prop 65 warnings are required under California law only. These warnings are seen throughout California in a wide range of settings, including but not limited to restaurants, grocery stores, hotels, schools, and hospitals, and on a wide variety of products. Additionally, some online and mail order retailers provide Prop 65 warnings on their websites or in catalogs.

## How do the California warnings compare to federal limits?

Prop 65 standards are often more stringent than federal and international standards. There are various substances that require a Prop 65 warning at levels that are far lower than federal action limits. For example, the Prop 65 standard for warnings for lead is 0.5 µg/day, which is well below the federal and international standards.

## Why don't all similar products carry the warning?

- Products sold in California require Prop 65 labelling while similar products sold elsewhere do not.
- A company involved in a Prop 65 lawsuit reaching a settlement may be required to use Prop 65 warnings for its products, but other companies making similar products may have no such requirement.
- The enforcement of Prop 65 is inconsistent.
- Companies may elect not to provide warnings because they conclude that they are not required to do so under Prop 65; a lack of warnings for a product does not mean that the product is free of listed chemicals at similar levels.

## Why does Toro include this warning?

Toro has chosen to provide consumers with as much information as possible so that they can make informed decisions about the products they buy and use. Toro provides warnings in certain cases based on its knowledge of the presence of one or more listed chemicals without evaluating the level of exposure, as not all the listed chemicals provide exposure limit requirements. While the exposure from Toro products may be negligible or well within the "no significant risk" range, out of an abundance of caution, Toro has elected to provide the Prop 65 warnings. Moreover, if Toro does not provide these warnings, it could be sued by the State of California or by private parties seeking to enforce Prop 65 and subject to substantial penalties.



**Count on it.**