

# Superior Broom

SB Manufacturing Inc.



## Model

SM74J

SM74C

SM74P



*“Superior Quality  
& Performance!”*





### CAB VISIBILITY

Operators have clear viewing of brush and road surface for safe operation.



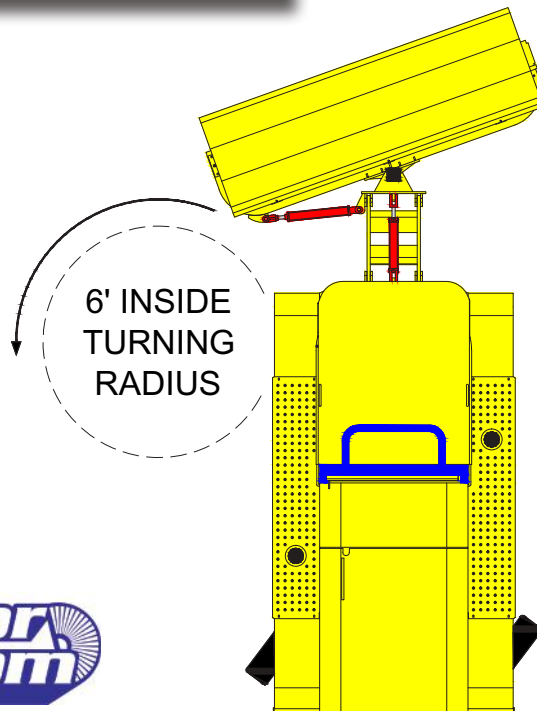
### BRUSH ROCK DEFLECTOR

Deflects rocks, sand & asphalt down at a lower level.



### TURNING RADIUS

SM80 Superior Brooms incorporate rear steering allowing sweeper to change directions in one lane and maneuver tight corners for more efficient sweeping.



### OPTIONAL BRUSH SIDE SHIFT

Side shifting brush allows operator to sweep outside front tires to reach areas 12" to 18" away from machine body.



Rear view of side shift







### SWING OUT ACCESS DOOR

Standard swing out door for easy cleaning and maintenance of your radiator, oil cooler & A/C condenser are vital to dependable operation. Superior Broom makes it easy to keep your coolers clean.



### ENGINE ACCESS DOORS

Maintenance made easy with extra wide access doors on right & left side are standard equipment. Optional vandal locks available.



### CONTROL CONSOLE

Electric joystick brush control, brush down pressure control valve, full gauge package with tachometer, oil & water gauge, volt meter, fuel gauge and sealed rocker switches with red indicator lights.



### TRAVEL CONTROL

Dual hydrostatic foot control pedals for more responsive control and operator comfort of travel speed.



### BRUSH CHANGE

Brush changing made easy with the standard 96" one piece poly coreless tube brush. Hinged brush cover lifts for easy access making change time in just minutes. Our exclusive coned alignment brush motor makes installation easy & fast.





## Specifications:

### Engine:

**John Deere** Diesel 4.5 liter (276 cid)  
74 hp, turbo charged, Tier 4 Final

**Caterpillar** Diesel 3.4 liter (208 cid)  
74 HP, turbo charged, Tier 4 Final

**Perkins** Diesel 3.4 liter (208 cid)  
74 HP, turbo charged, Tier 4 Final

### Dimensions:

Weight - 6,500 lbs.  
Height - 91 inches  
Length - 200 inches  
Width - 100 inches (transport)  
Turning Radius - 6 feet (inside)

### Chassis:

Heavy duty 1/4" x 3" x 6" rectangular  
tubing with 2" x 6" tubing rear bumper,  
5/8" plate steel front support

### Steering:

Orbital hydraulic power steering

### Hydraulic Tank:

22 gallon

### Fuel Tank:

30 gallon

### Front Axle:

3/4 ton heavy duty semi-float

### Rear Axle:

Rear steer heavy duty

### Wheels:

Four - 6 bolt (15" x 6") steel spoke

### Tires:

ST225/75R15 load range C radial

### Brakes:

Four wheel hydraulic drum

### Standard Equipment Includes:

2-Speed hydrostatic transmission  
Low range 0 to 10 mph  
High range 0 to 20 mph  
Dual transmission foot controls  
8 Foot poly quick change tube brush  
Sweeping angle 35 degrees  
Sweeping width 96"  
Dual element air cleaner  
Extended air cleaner stack  
150 gallon water system  
Hydraulic brush pressure gauge  
Float controller  
Safety engine shutdown system  
Brush speed control  
Brush shield rubber rock deflector

### Controls & Accessories:

Padded suspension seat  
Enclosed cab w/wiper & washer  
Pressurized air conditioning  
Heater & defroster fan  
West coast mirrors w/convex mirrors  
Light group  
Strobe light

### Available Options:

2-door cab  
Tilt & telescoping steering column  
Brush side shift  
Rear window wiper & washer  
96" poly strip brush  
AM/FM stereo  
Rear work lights  
Emergency brake safety system  
Audible engine alarm  
Block heater  
Hydraulic temperature gauge  
Spare tire  
Vandal package  
Reversing brush  
HEPA cab filter

### Sold & Serviced By:

3707 W. McCormick  
Wichita, KS 67213  
Ph: 316.941.9591  
Fax: 316.942.5672