

TERRAMAC RT7U RUBBER TRACK CARRIER

Standard RT7U Specs

The Terramac RT7U is a purpose-built model which features front and rear frame extensions in addition to various hydraulic pump drive configurations to accommodate a wide array of support equipment.

DIMENSIONS	
Full Length ¹	20' 3"
Full Height ²	9' 6"
Width Over Tracks	8' 3"
Rail Width (1/2" thick wall)	3'
Front Rail Extension ³	3.1'
Rear of Cab to Rear of Rail ³	11.5'
Min. Ground Clearance	18.3"
Front Overhang	4' 10"
Track Gauge (Center-to-Center)	6' 2"
Track Width	23.6"
Undercarriage Length (Idler to Drive Hub)	10' 3"
Base Weight	16,924 lbs.
Maximum Carrying Capacity	16,576 lbs.
GVWR ⁴	33,500 lbs.

ENGINE	
Manufacturer	Cummins
Model	B4.5 Performance Series
Emissions Cert.	US Tier 4 Final/EU Stage V
Displacement	275 cu. in.
Horsepower	155 HP @ 2200 RPM
Electrical System	12 VDC
Battery	(2) 12V GRP 31,1125 CCA each
Fuel Capacity	40 gallons

See footnotes on next page.

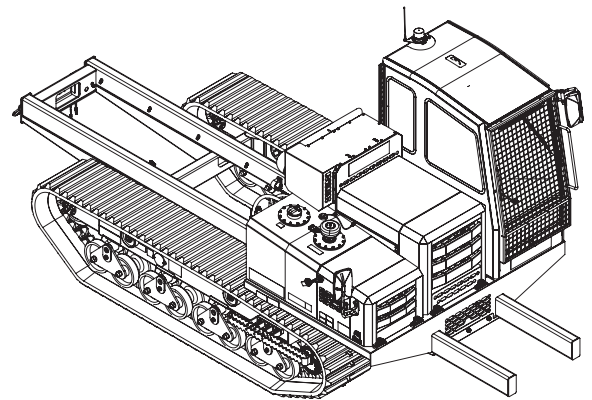
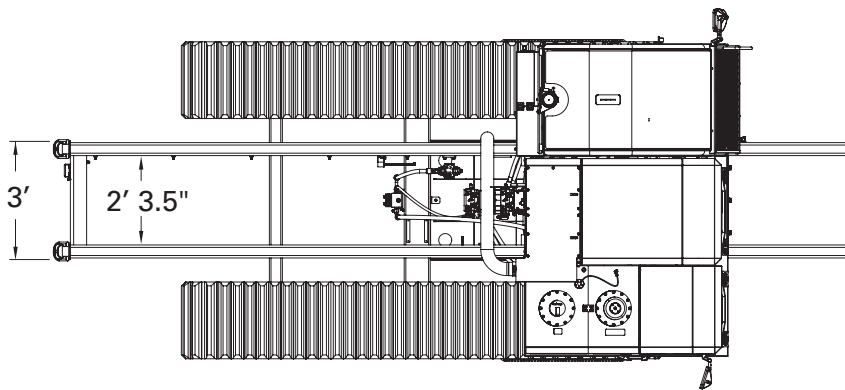
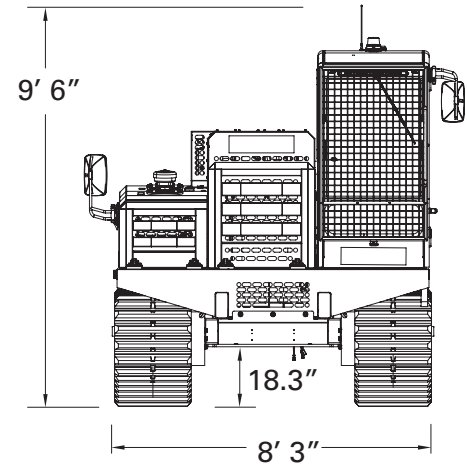
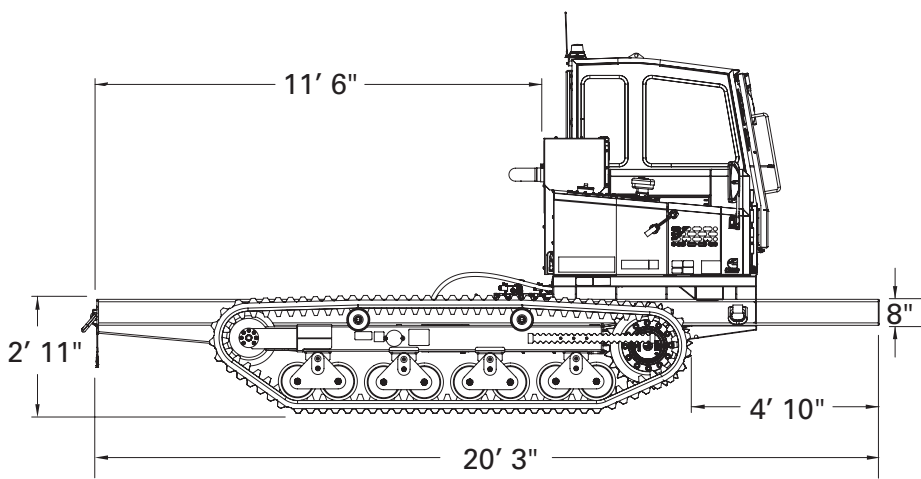


HYDRAULICS	
Transmission	HST
Drive Pump Max Flow (x2)	32 gpm / side
Drive Pump Max Pressure	5,500 PSI
Tandem Gear Pump Max Flow	
Front Section (Aux Output)	14 gpm @ 3000 PSI
Rear Section (HST Drive)	20 gpm @ 550 PSI

PERFORMANCE	
Max. Carrying Capacity	16,576 lbs.
Travel Speed - 1st Gear	3.3 mph
Travel Speed - 2nd Gear	6.7 mph
Gradability ⁵	58% (30°)
Turning Radius	Zero Turn
Ground Pressure (loaded)	5.8 PSI
Ground Pressure (unloaded)	2.9 PSI

TERRAMAC RT7U RUBBER TRACK CARRIER

Standard RT7U Dimensions



FOOTNOTES

- ¹ The overall length may vary depending on utility build model selected.
- ² Travel height is 9' 3" when beacon bracket is flipped down.
- ³ Frame length can be modified, please contact Terramac for details.
- ⁴ GVWR up to 38,000 lbs with application approval by Terramac.
- ⁵ Gradability may vary based on support equipment added to the carrier, please contact Terramac for details.